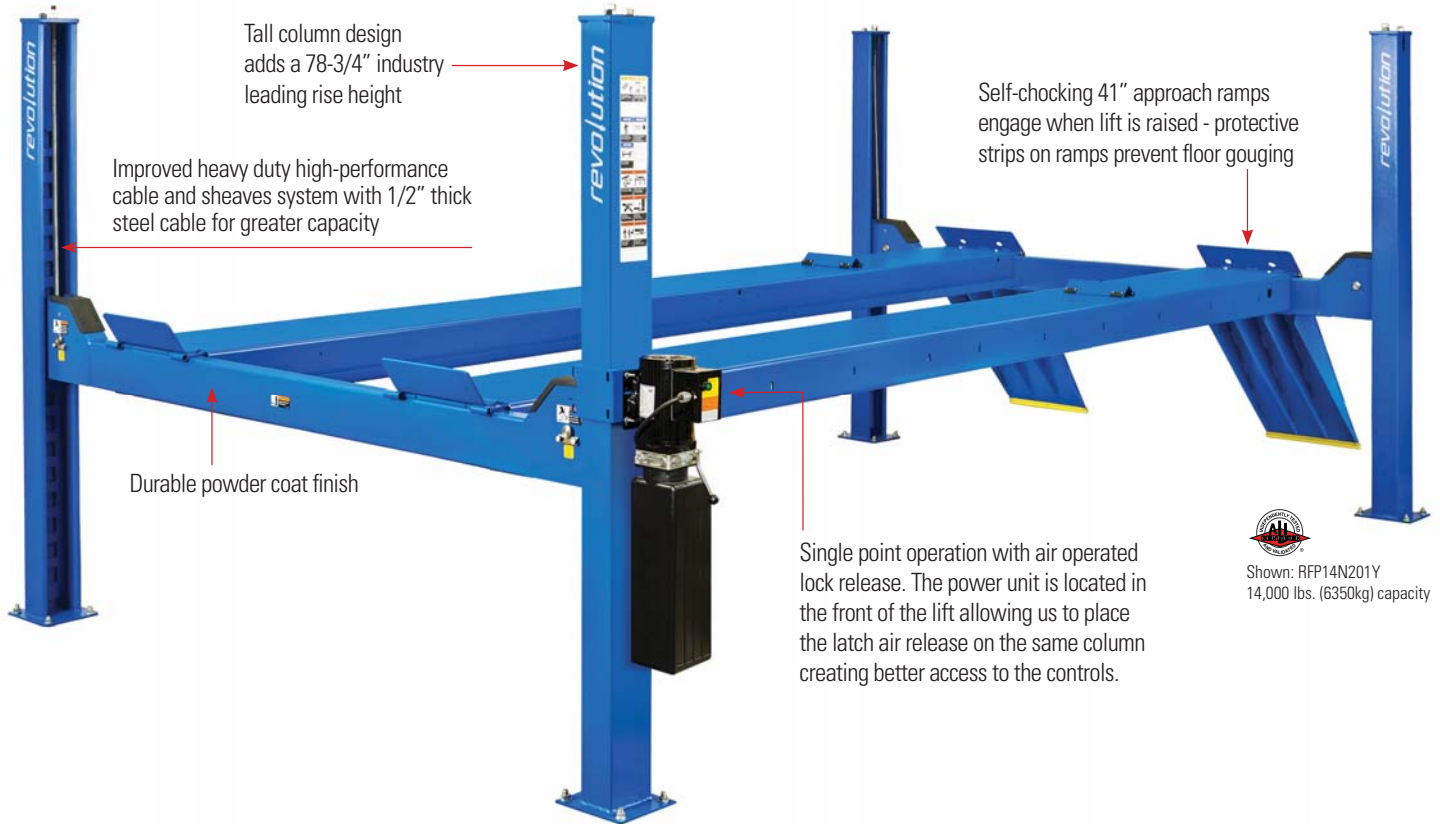


revolution RFP14

General Service Drive-On Lifts / 14,000 lbs. capacity



Specifications	RFP14
Capacity	14,000 lbs. (6350kg)
Rise	78-3/4" (2000mm)
Overall Length	250" (6350mm)
Maximum Wheelbase	182-1/2" (4635mm)
Overall Width	131-3/4" (3499mm)
Overall Height	90-1/2" (2299mm)
Width Inside Columns	116-1/4" (2902mm)
Length Between Columns	195-1/4" (4807mm)
Runway Tread Width	20" (508mm)
Width Between Runways	43" (1092mm) or 46" (1168mm)
Runway Height	7" (178mm)
Rise Time	72 seconds
Voltage/Single Phase	208v-230v
Motor	2 HP

*Optional 3-phase available

FEATURES

- Taller column design adds a 78-3/4" rise height
- Heavy duty high-performance cable and sheaves system
- Hydraulic cylinder placed under runway and out of the way
- 18 lock positions allow runways to be level at multiple working heights
- Durable powder coat finish

Gold Certified

Revolution's RFP14 is ALI Certified and meets the highest industry safety and performance standards. Look for the Gold label.

Available Accessories:

- 7,000 lb. (2722kg) rolling jack
- Internal airline kit
- Bolt-on alignment kit
- Tech Light runway LED light kit
- Drive-thru ramps